

SABRE Module v4

for HID® iCLASS SE® and multiCLASS SE® Readers



Overview

The SABRE Module is a low-cost, 30-second upgrade that brings fast touchless mobile credentials, supplier-neutral MIFARE® DESFire®, Wi-Fi and OSDP features to HID iCLASS SE and multiCLASS SE readers.

With a simple plug-in installation that requires no re-wiring, the SABRE Module delivers enterprise-grade security with leading touchless mobile access technology and support for MIFARE DESFire EV2 and EV3 credentials from any credential supplier.

The SABRE Module also upgrades the host reader into a full IoT connected sensor, providing active scanning of BLE-enabled devices, with additional support for Thread and Zigbee.

How to order

To place an order for the SABRE Module, please contact us at sales@safetrust.com.

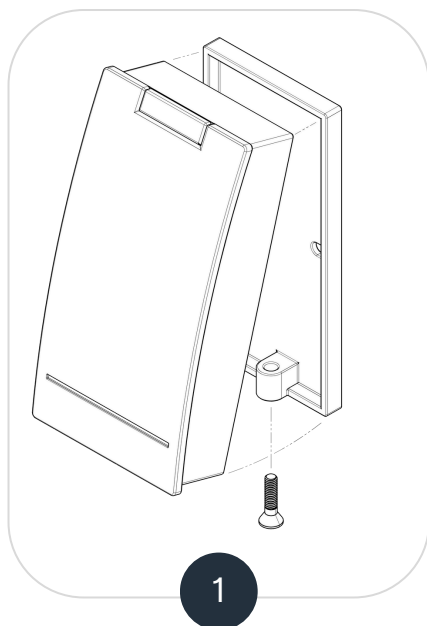
For more information, visit www.safetrust.com.

Key Features

- 100% Plug and Play**
 30-second plug-in upgrade with zero downtime.
- Support for Touchless Mobile Access**
 Transform doors, elevators, parking garages, and more for seamless access using Safetrust mobile credentials, eliminating community touch-points and creating a safer workplace.
- Support for DESFire EV3 Security**
 Migrate from prox and iCLASS credentials to DESFire EV3. Purchase secure credentials from any card vendor, lower your credential cost and open up form factors not supported by HID.
- Support for Contact Tracing**
 Obtain proximity records for mobile devices in your workplace to find close contacts and potentially contain outbreaks before they escalate.

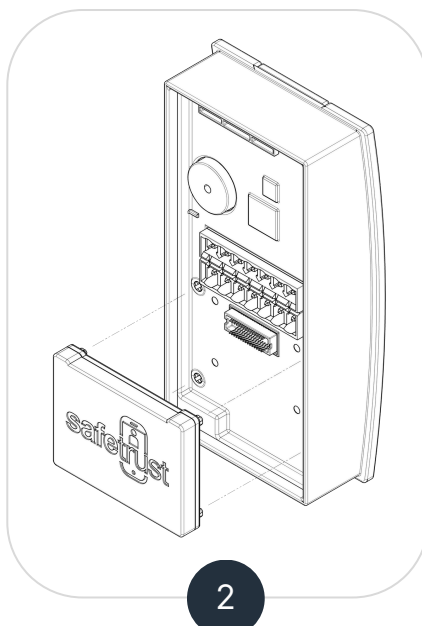


Upgrade in 30 seconds, without any re-wiring



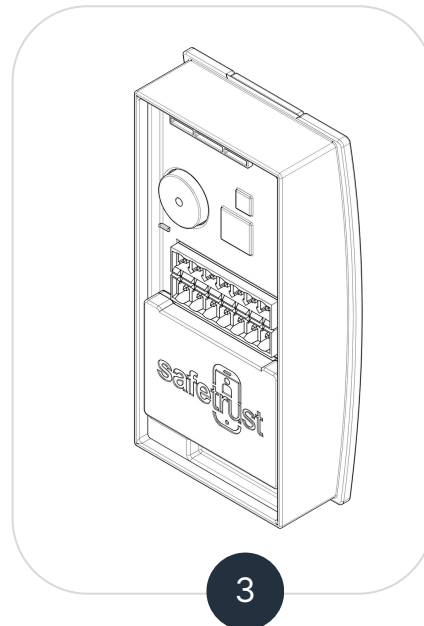
Remove reader from wall bracket

Remove the mounting screw and pull the reader in an 'out and upward' motion to remove it from the wall mount bracket.



Plug in the SABRE Module

Position the SABRE Module onto the reader's connector and press firmly to make a solid connection.



Ready to go!

Once a firm connection is made between the Module and the connector, the Module will receive power and will be operational within 5 seconds.

The smallest, fastest and most affordable way to upgrade your legacy readers



SABRE Module

Specifications

Part Number	8830-002
Communication	Wiegand, RS-485 OSDP, UART, GPIO, F2F
Supported Reader Models	HID® iCLASS SE® and multiCLASS SE® Readers
Mobile Operating Systems	Apple iOS 11.0 or later; Android 4.4 or later on devices with the Safetrust Wallet app
Mobile Operating Systems	Apple iOS 9.0 or later and Android 4.4 and up on devices with the Safetrust Wallet
Mobile Credential Emulations	Most popular formats from HID®, Indala®, AWID®, GE Casi®, Farpointe and Honeywell®, MIFARE® Classic, MIFARE® DESFire® and Seos® Credentials
Bluetooth Range	Touch to 50 ft (0 to 15 meters)
Wi-Fi	802.11b/g/n 5 GHz, IPv4, IPv6, 802.1x
Mounting	Plug-in
Operating Conditions	-31 to 149°F (-35 to +65°C)
Weight	0.17 oz (5g)
Dimensions	1.1" x 1.49" x 0.20" (28 x 38 x 5mm)
Encryption	Hardware secure element EAL 6+, AES 256, ECC, TLS, x.509, OSDP v2 SC
Memory	16MB
Relay	External only, 5V control line GPIO3/GPIO4 wires
Power Requirements	Supply Voltage 6-17 VDC
Power Monitoring	12V input line monitoring with MQTT alerts and low power mode
Power Consumption	Wi-Fi 2 - 50 mA, BLE 2 - 20 mA
Certifications	FCC Part 15 Modular Transmitter Certification (KDB996369 DO1 & Part 15.212), Canada IC, EU EMC CE, India ETA-WPC, RCM, RoHS. WEEE
Warranty	Lifetime Warranty (review warranty for complete details)

Safetrust, SABRE Module, Credential Manager and Safetrust Wallet are all trademarks of Safetrust Inc. All other product and company names are trademarks of their respective holders; use of these trademarks does not imply any affiliation with or endorsement by their holders. All claims of compatibility are made by Safetrust only. *HID®, iCLASS SE®, Seos®, multiCLASS SE®, and Indala® are trademarks of HID Global Corporation/ASSA ABLOY AB. Neither that company nor its affiliates have manufactured or endorsed this product and have no association to Safetrust Inc.

